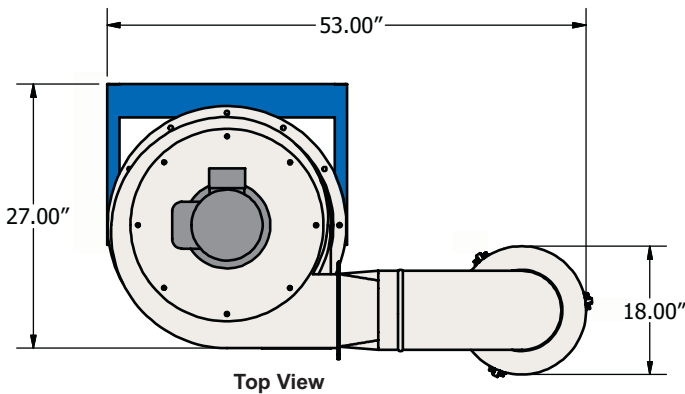




Pat. Pend.
Internal
Silencer

System Dimensions:
Height - 92.5"
Length - 53"
Width - 27"

Outlet - Can be rotated
independent of the inlet.



1 Pallet - 40" x 48"
400lbs
450lbs with Stand

Physical and Electrical Data

System Performance ▶ 1593 Max. CFM

System Dimensions

- ▶ Height w/ 35 Gallon Drum: 92.5"
- ▶ Footprint w/ Ext. Cartridge: 27" x 53"
- ▶ Inlet Diameter: 7" Full Welded Rect. w/ Neutral Vane
- ▶ Square to 7" Round included.
- ▶ Outlet: Rectangle (Square to Round Adapter Available)
- ▶ Powder coated paint finish over heavy gauge steel.
- ▶ Weather-proof cyclone and Fan Blower.
- ▶ Fully Seam-Welded Construction.

Integral Fan Blower

Industrial Quality Motor

- ▶ U.S. Made Baldor
- ▶ 3 Horsepower
- ▶ TEFC Motor, 1.15 Service Factor
- ▶ Insulation Class F
- ▶ Voltage: 1 Phase, 115-230 / 3 Phase, 208-230/460V
- ▶ Amperage: 1 Phase, 29/14.5A / 3 Phase, 8.1-7.6/3.8A
- ▶ Cast aluminum alloy 356T-51 / backward inclined / non-sparking, non-ferrous as required by NFPA fire code / dynamic, two-plane balanced to ISO 6.3 specifications. The same as Aircraft Turbine Rotors.

Filter Media

ASHRAE
Tested

- ▶ FCS183900 ▶ 110 Sq. Ft. High Efficiency Axtar Spun-Bonded Media
- ▶ Accredited, Independent Lab Tested
- ▶ Filter Media Captures 99.9% of Test Material from 0.2 - 2 microns @ 11 FPM
- ▶ Teflon-like coating to Facilitate Dust Cake Release

Sound Level

- ▶ With Standard Silencer & Filter: 79-81 dB @ 10'

Dust Bin

- ▶ 35 Gallon Fiber Drum. Other Sizes & Types Available.

Included:

- ▶ Filter Efficiency Gauge
- ▶ Magnetic Starter - AMR221417 / 230v / 1 phase
- ▶ Heavy Duty One Piece Wall Bracket
- ▶ Ductwork Design Service available.
- ▶ 5 - Year Warranty
- ▶ Internal Silencer

Options:

- ▶ Angle Iron Stand - STG021035/55 - \$217.28
- ▶ 55 Gal. Steel or Fiber Drums
- ▶ Bag Gripper - ABX000000 - \$166.58 / \$50 off w/ System

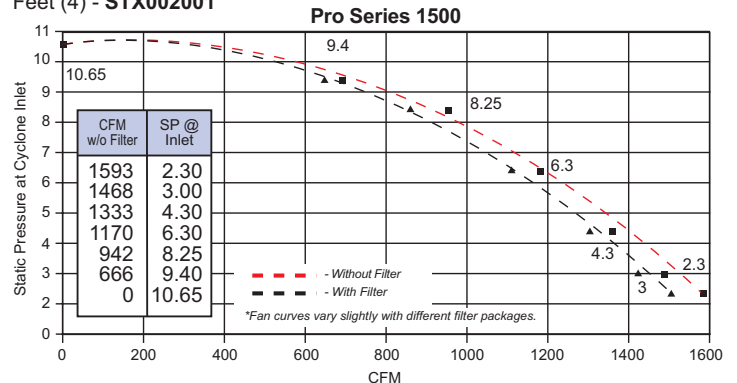
Angle Iron Stand Parts -

Uprights (4) - 35 gal. - **SXX000056** / 55 gal. - **SXX000068**

Braces (7) - 35 & 55 gal. - **SXX000021**

Feet (4) - **STX002001**

System Fan Curve



*Oneida reserves the right to change or modify specs and system appearance without notice. Actual system appearance may vary.