



Oneida
Air Systems

Super
**The DUST
GORILLA**

Powerful ■ Economical ■ Made in the USA



Shown with
optional stand.

**GREEN
CHOICE**

Capacitor run
motor uses less
electricity.

"I completed installation Sat. evening and turned it on. Boy was I a happy camper. It did 100 times what I thought it would do. It works, believe me. Thank you. Worth every penny I spent."

- J. Neison

2.5hp Super Gorilla™ Dust Collector

1.800.732.4065

Quote Sheet

www.oneida-air.com

Oneida Air Systems, Inc. was founded in 1993 to bring cost effective, state-of-the-art dust collection systems and material handling ductwork to woodworking shops. OAS designs and manufactures industrial grade dust collection systems that create a practical, safe and healthy work place environment.

The Oneida Advantage



Made in the USA!



Shown with Optional Stand.



① Motor

U.S Made Baldor Motor 2.5 hp, Class F TEFC Motor with a 1.15 Service Factor Magnetic Starter with on/off switch and amperage overload protector.

② Fan Wheel / Fan Housing

Cast Aluminum Alloy 356-51, non-sparking, non-ferrous as required NFPA fire code. No Rivets or Welds
Extremely Strong
Backward Incline design. Designed for high performance low noise.
Dynamic two-plane balanced to ISO 6.3 Specifications. (Same as aircraft turbines.)

③ Cyclone Construction

Cyclone Technology eliminates filter maintenance.
7" welded inlet with neutral vane.
16 Gauge cyclone barrel with welded construction.
Powder coated paint finish over heavy gauge steel. Welded cyclone body.
Outlet can be rotated independent of inlet - 8 bolt patterns

④ Filter

110 sq. ft. filter area.
GE Certified (H-12) HEPA Filter Media / MERV 16+ Rated - see spec sheet on website
Filter Grounding Wire
Pat. Pend. Flame Guard Arrestor

⑤ Internal Silencer

Built in Silencer reduces sound to 79 - 81 dBA @ 10'. Patented design.

⑥ Dust Drums - ODK350901

35 or 55 gallon Fiber or 55 gallon Steel available.

Bag Gripper available. Line dust drum with an easy to empty plastic bag.

⑦ Fine Dust Pan -

No plastic bags to blow off.

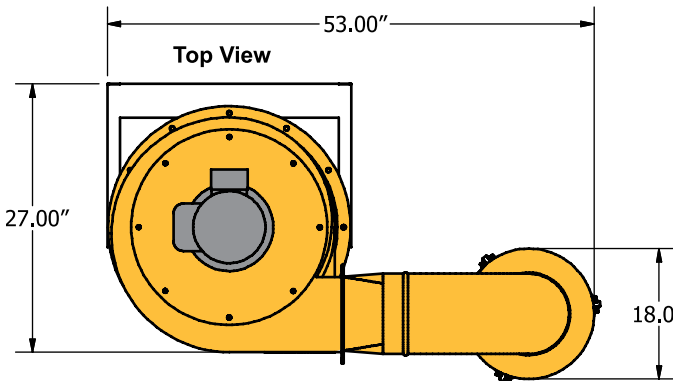
⑧ Heavy Duty Bracket - SMS300021

⑨ 2 Year Warranty

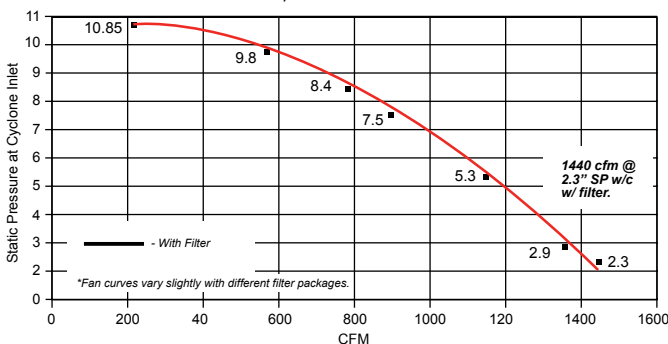
Dimensions shown w/ 2" flex hose between drum and cone collars.



Included Bracket
SMS300021



2.5hp Super Dust Gorilla™ CFM vs. SP Curve*



System Performance

- ▶ 1440 cfm @ 2.3" SP w/ Filter

System Dimensions

- ▶ Height w/ 35 Gallon Drum: 92"
- ▶ Footprint w/ Ext. Cartridge: 27" x 53"
- ▶ Inlet Diameter: Welded 7" w/ Neutral Vane
- ▶ Outlet: Rectangle (Square to Round Adapter Available)
- ▶ Powder Coated Paint Finish Over Heavy Gauge Steel
- ▶ Weather-Proof Cyclone and Fan Blower
- ▶ Welded Cyclone Body

Integral Fan Blower

Industrial Quality Motor

- ▶ U.S. Made Baldor
- ▶ 2.5 Horsepower Single Phase
- ▶ TEFC Motor, 1.15 Service Factor
- ▶ Insulation Class F
- ▶ Voltage: 208 - 230V
- ▶ Amperage: 11.5 / 10.9A
- ▶ Cast Aluminum Alloy 356-51 / Backward Inclined / Non-Sparking, Non-Ferrous as Required by NFPA Fire Code / Dynamic, Two-Plane Balanced to ISO 6.3 Specifications. The Same as Aircraft Turbine Rotors.



Filter Media

- ▶ 110 Sq. Ft.
- ▶ GE Certified (H-12) HEPA media / MERV 16+ Rated
- see spec sheet on website

Sound Level

- ▶ With Standard Silencer & Filter: 79 - 81 dBA @ 10'

Dust Bin

- ▶ 35 Gallon Fiber Drum. Other Sizes & Types Available.

Included

- ▶ 2 Yr. Warranty
- ▶ Heavy Duty One Piece Wall Bracket
- ▶ Internal Silencer - Pat. Pend.
- ▶ Magnetic Starter - w/ On-Off Switch Preset for Add-On Remote with Amperage Overload Protector (1 Phase)
- ▶ FREE D.I.Y. Duct Design Guide
- ▶ Filter Grounding Wire
- ▶ Pat. Pend. Flame Guard Arrestor

Options

See Accessories page for pricing.

- ▶ Duct Design Service
- ▶ Filter Efficiency Gauge
- ▶ Stand for Free Standing Unit
- ▶ 55 Gal. Steel or Fiber Drums
- ▶ Bag Gripper, Plastic Bag Hold-Down System
- ▶ Remote Starter - Radio Frequency
- ▶ Dust Sentry™ - Infrared Bin Level Sensor

*Oneida reserves the right to change or modify specs and system appearance without notice. Actual system appearance may vary.

Oneida 2.5hp Super Gorilla™

Part #	Description	Price
XGK025105H	2.5hp Super Dust Gorilla™ 1 Phase	\$1,730.00
ODK350901	35 Gal. Fiber Drum	
SMS300021	Wall Bracket	

*This proposal may be withdrawn by Oneida Air Systems if not accepted within 30 days.

These ductwork kits were designed by Oneida to take the guesswork out of ducting your dust collector and to save you time and effort.

Basic Starter Duct Kit 1

Ductwork Kit #1 for 7" Inlet

Package #1 - KDZ000001

Can be attached to single tools during use.

Included in Package

- (2) Band Clamps 3" to 6" - ACB060000
- (1) Spiral Adapter 5" - DAS050000
- (20 ft.) 5" Flex Hose - DHF050000
- (2) Female 5" Quick Connect - DQF050000.
- (1) Male 5" Quick Connect - DQM050000
- (1) 5" to 4" Reducer - DRL050400
- (1) 7" to 5" Reducer - DRL070500

Total with System Purchase - Approx. \$186.00*

Basic Starter Duct Kit 2

Ductwork Kit #2 for 7" Inlet

Package #2 - KDZ000002

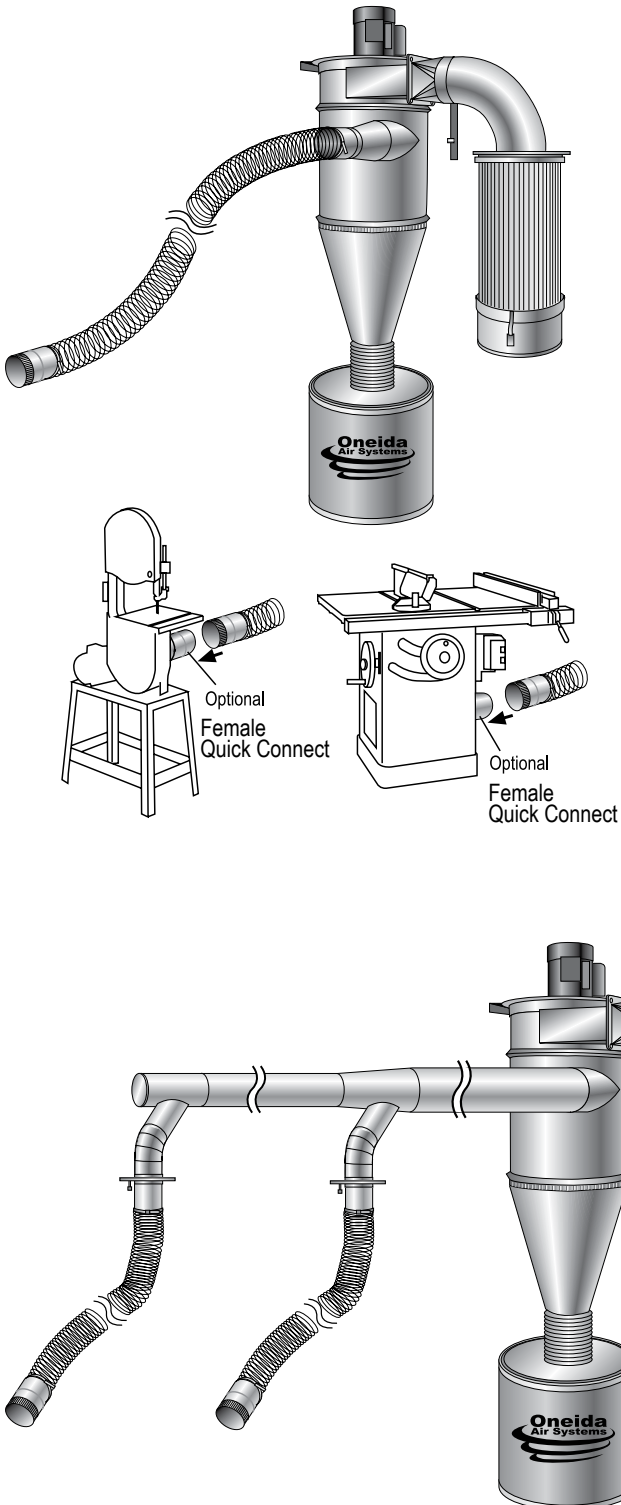
Can connect tools at two locations near your collector.

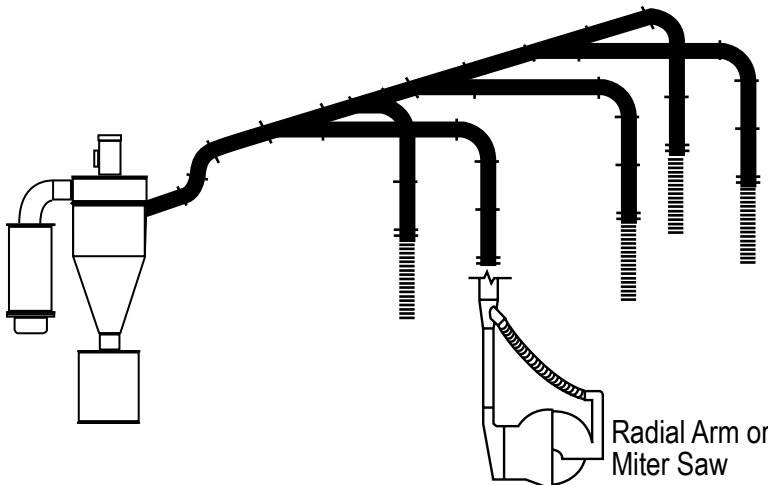
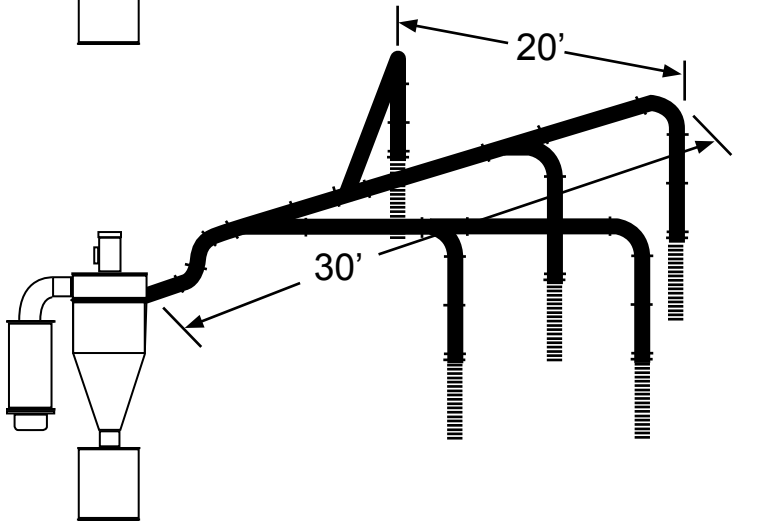
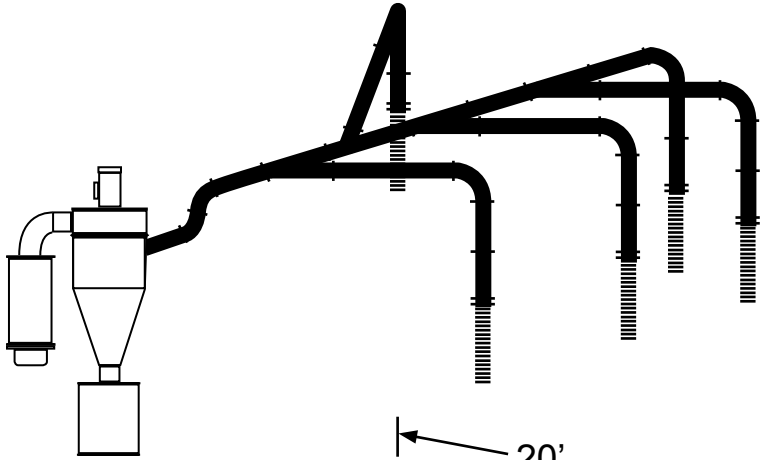
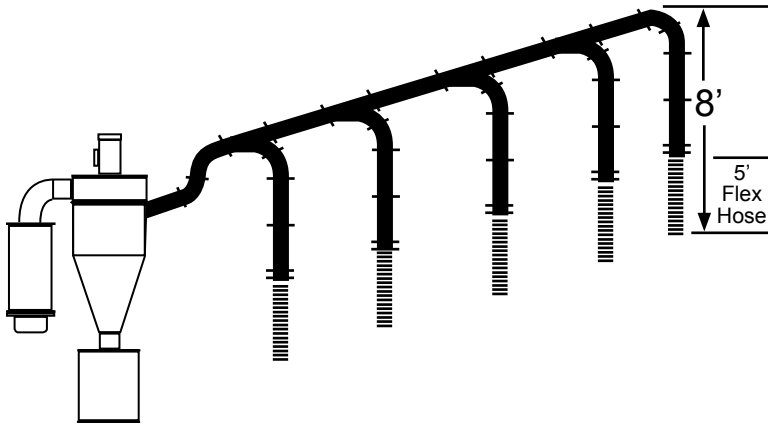
Included in Package

- (4) Band Clamps 3" to 6" - ACB060000 - \$3.47 ea.
- (2) Blastgate Adapters 5" - DAB050000 - \$8.62 ea.
- (1) End Cap - DCZ050000 - \$7.83 ea.
- (2) 90 5" Adjustable Elbows - DEA900500 - \$14.49 ea.
- (2) 5" Dia. Aluminum Blast Gates - DGA050000 - \$22.94 ea.
- (20 ft.) 5" Flex Hose - DHF050000 - DHF050000 - \$5.40 / ft.
- (1) 5"x 60" 26 ga. Pipe - DPT260560 - \$15.80 ea.
- (1) 7"x 60" 26 ga. Pipe - DPT260760 - \$21.12 ea.
- (4) Female Quick Connect 5" Dia. - DQF050000 - \$15.81 ea.
- (2) Male Quick Connect 5" Dia. - DQM050000 - \$15.81 ea.
- (3) 5" to 4" Reducer - DRL050400 - \$10.86 ea.
- (1) 5x5x5 45 Deg. Wye - DWS050505 - \$34.16 ea.
- (1) 7x5x5 45 Deg. Wye - DWS070505 - \$40.80 ea.

Total with System Purchase - Approx. \$443.00*

***Call Oneida for exact pricing.**





Deluxe Starter Duct Kit

With these basic parts you can connect 5 tools with countless configurations. You may need extra straight pipe but this is an easy way to start.

Included in Package

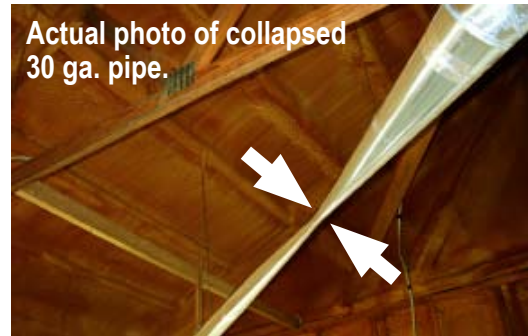
- (2) 7" Large Rad. 90 Deg. Adj. Elbow - DEA900700
- (1) 7x5x5 45 Deg. Wye Joint - DWS070505
- (4) 5x5x5 45 Deg. Wye Joint - DWS050505
- (5) 5" Large Rad. 90 Deg. Adj. Elbow - DEA900500
- (5) 5" Aluminum Blast Gate 5" Dia. - DGA050000
- (25') 5" Dia. Flex Hose - DHF050000
- (10) 3 - 6" Dia. Band Clamp - ACB060000
- (5) Blast Gate Adapter 5" Dia. - DAB050000.
- (5) Reducer 5" to 4" - DRL050400
- (1) 7" Dia. x 24" Long 26 ga. Pipe - DPT260724
- (5) 5" Dia. x 60" Long 26 ga. Pipe - DPT260560
- (10) 5" Dia. x 24" Long 26 ga. Pipe - DPT260524

Approx. Total - \$825.00*

**Flexhose sold in 5' increments. Flexhose comes in one complete section and can be cut to different lengths.*

Notes:

Depending on the width of your shop and the plan you use, you may need extra pipe.
 For the most efficient collection, keep woodworking tools within 30' of the dust collector.
 Use 26 ga. straight pipe or heavier, 30 ga. can suck flat with our systems.



Add On Package for Miter Saw or RAS

- (1) 5" x 4" x 3" Wye - DWS050403.
- (1) 3" to 2" Reducer - DRL030200
- (5') 2" Dia. Flex Hose - DHF020000.
- (2) Hose Clamps - ACB060000
- (1) Hood - DOR050000

Approx. Total - \$89.00*

***Call Oneida for exact pricing.**

Let OAS help you design your dust collection system

Ductwork Design

With a system purchase and the placement of a refundable shop plan design fee, engineers and qualified technicians will size and design a custom dust collection system complete with ductwork layout including the proper pipe dimensions to run to each piece of equipment.

Trained sales technicians are available to answer questions: 1.800.732.4065

Ductwork Estimate:

Snaplock pipe & Components (24 - 26 gauge) is available with this system and costs approximately \$200 - \$225.00 per woodworking tool port. Average cost estimate for ductwork:

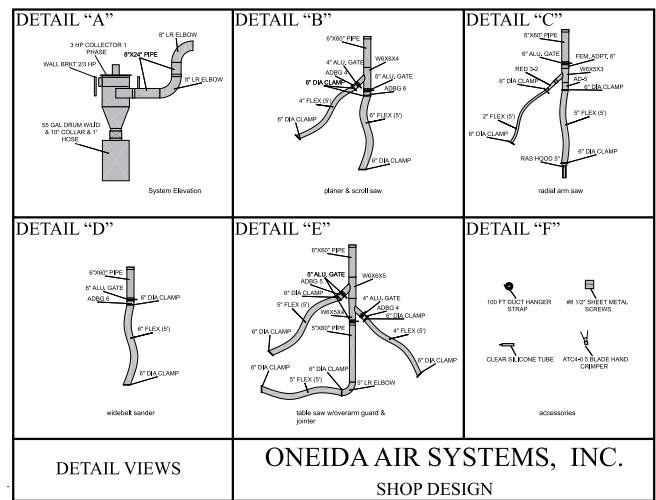
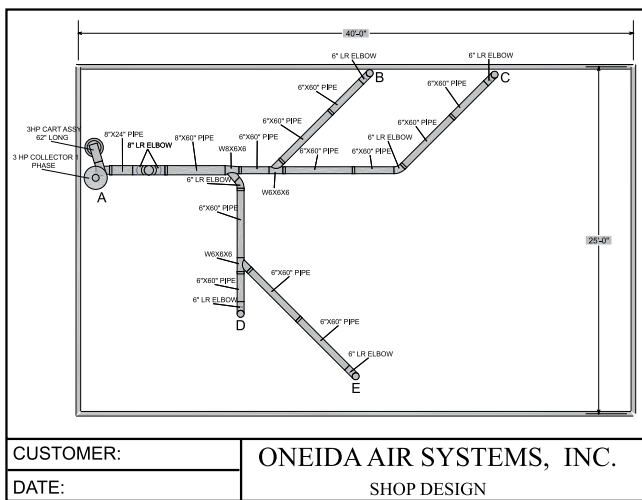
$$(\# \text{ of Machines }) \times \$200 - \$225.00 = \text{Ductwork Estimate 24 - 26 Ga. ductwork}$$

Spiral pipe (24 Ga.) and heavy elbows are available with this system and costs approximately \$300 - \$325.00 per wood-working tool port. Average cost estimate for ductwork:

$$(\# \text{ of Machines }) \times \$300 - \$325.00 = \text{Ductwork Estimate 24 Ga. spiral pipe \& heavy gauge elbows}$$

Shipping:

Snaplock shipping is free on \$200+ ductwork order / 48 states / Some restrictions apply.



**Ready-to-Ship
Ductwork**



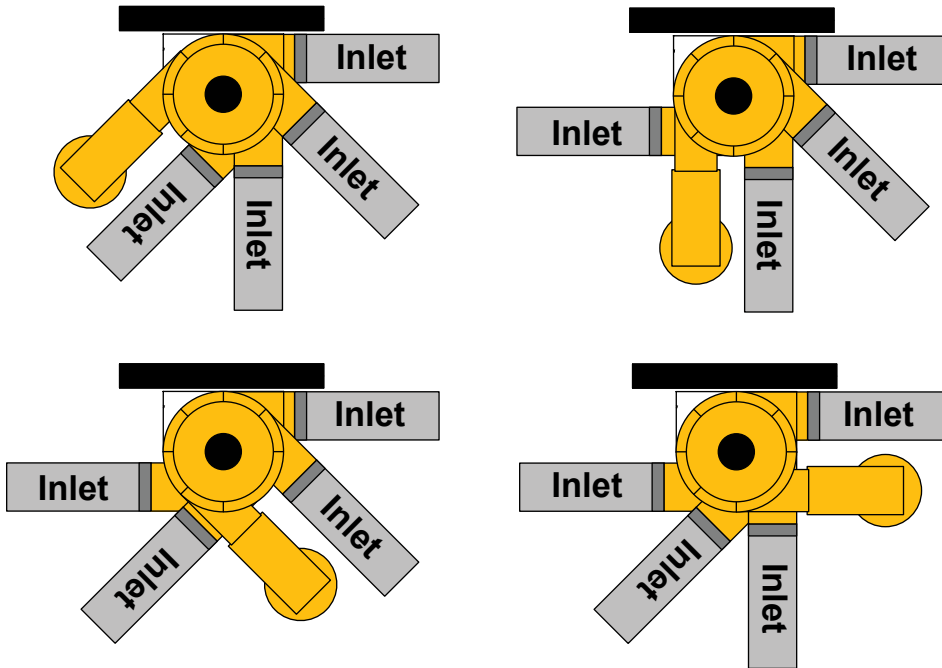
"Service was always great. One of the main reasons I chose Oneida was for the design service and it was all that I hoped for. I felt that the system recommended to me was exactly what my shop needed."

- R.W.

Filter and Inlet Positions

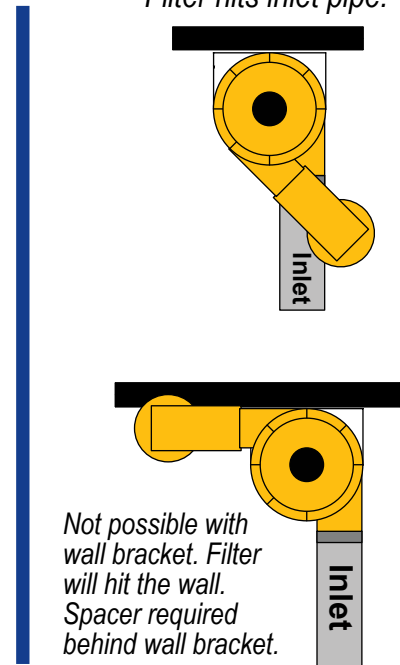
Possible Filter Positions -

Fan housing and cyclone bolt holes are drilled at 45 degree increments. Some orientations are not possible. Please check your design.



Not Possible Filter Positions -

Filter hits inlet pipe.



Not possible with wall bracket. Filter will hit the wall. Spacer required behind wall bracket.

Statement:

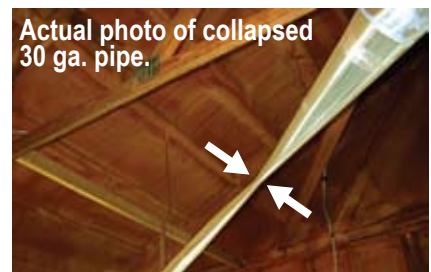
Shop plan ductwork and system drawings are drawn to appropriate dimensions and in no way should be considered exact measured drawings. Oneida Air assumes no responsibility for system dimension or configuration limitations at the time of installation. Oneida Air is not responsible for shop down time as a result of installing Oneida dust collection systems and ductwork.

General Guidelines for an Efficient Duct System

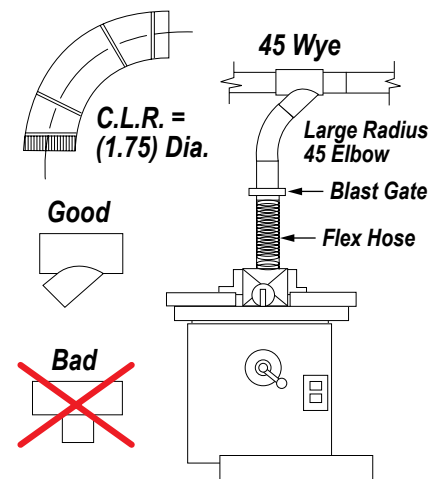
Metal Duct Gauge

Caution: Sheet metal fittings can have sharp edges.

Small custom shops do well with 22 - 26 gauge pipe fittings. Thinner gauges (such as HVAC pipe) can collapse under fan pressure or dent too easily. Shorter and more direct pipe runs are best and will deliver more air volume to the woodworking machine. Elbows and turns should be kept to a minimum. Use large radius elbows, with a center line radius at least 1.5 times the diameter.



Large Radius Elbow



Flex hose connections to machines can be the simplest and easiest way to connect your machines to the metal duct. Flex hose creates more air resistance than metal pipe. Use short lengths of flex hose for connecting to machines. Use wire wrapped helix flex hose for static grounding, bare the ends so they contact the metal pipe. Blast gates can be used at every machine to control air flow.

Use 45 degree wye branches, not 90 degree tee branches. A wye branch has 4x the efficiency of a tee. A 45 degree wye with a 90 degree elbow adjusted to 45 degrees will create a gentle sweep that can be used as a vertical drop or as a right or left turn off of the main duct line. Seal all ducting. Silicone makes a good sealant. Even small cracks can create significant air loss.

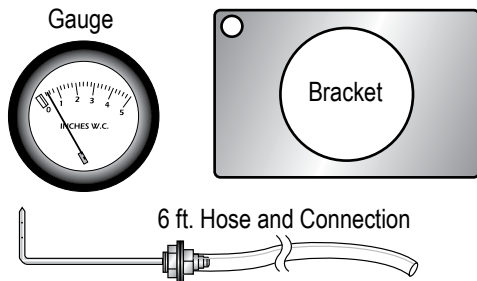
Accessories



Fiber and Steel Drums

Part #	Description	Price
SDK350901	35 Gal. Fiber Drum Kit 9"	\$61.68
SDK550901	55 Gal. Fiber Drum Kit 9"	\$79.73
SEK550901	55 Gal. Steel Drum Kit 9"	\$127.93

Kit includes Flex Hose & Hose Clamps



Filter Efficiency Gauge

Part #	Description	Price
FXK000000	Filter Efficiency Gauge Kit	\$113.85

This easy to read gauge takes the guesswork out of knowing when your filters need to be cleaned and tells you how much pressure is backed up behind your filters. It reads pressure from plenum to gauge up to 8' away and allows you to keep your dust collection system running efficiently.

Remote Control Switch



No line of sight required.
Radio frequency.

Part #	Description	Price
AXR220000	Remote Control Switch	\$77.28



Heavy-Duty freestanding stand..

Stands

Part #	Description	Price
STG000035	35 Gal. Stand	\$217.28
STG000055	55 Gal. Stand	Upgrade from Bracket

55 Gal. drum will not fit with 35 gal. stand.



Enables you to line your dust drum with a plastic bag for easy, safe dust disposal.



The Bag Gripper™

Part #	Description	Price
ABX000000	Bag Gripper™ Assembly	\$116.58 Purchased with Gorilla

\$166.58 if purchased separately

Drum Liner - Plastic Bag Hold-Down

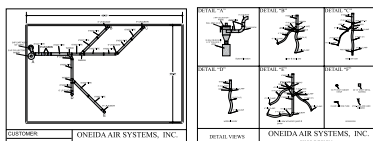
Part #	Description	Price
ABX000035	35 Gal. Hold-Down	\$48.00
ABX000055	55 Gal. Hold-Down	\$58.00



Spun-Bond filters 99.9% of test material from 0.2 - 2 microns.
GE Certified (H-12) HEPA media. MERV 16+ rated. For applications other than wood dust or when the best filtration is required.

Replacement Filters

Part #	Description	Price
FCS183900	18" x 39" Spun-Bond Filter	\$262.93
FCS183600HF	18" x 36" HEPA Media Filter	\$408.00



Ductwork Design Service

Part #	Description	Price
MES000000	Ductwork Design Service	\$200.00

Items Not Covered By Quote

1. Control System: Panels, wiring, system control, breaker or starters unless noted in this quotation.
2. Freight cost, custom fees, duty or loading of freight unless noted in this quotation.
3. Federal, state, municipal or other government excise, sales, use occupational or other like taxes now in force or to be enacted unless noted in this quotation.
4. All labor required for installing the equipment.
5. Anything not specifically mentioned in this quotation.
6. Oneida Air Systems, Inc. reserves the right to void this quote in the event of a typing error or gross oversight.

WARRANTY	WARRANTY	WARRANTY	WARRANTY
90 Days	1 Year	2 Years	5 Years
Dust Deputy's Bag Gripper Remote Control Electronic Items	V - Systems Dust Cobras Mini-Gorillas	Smart Portables Gorilla Portables Super Dust Gorillas Hi-Vac Systems Direct Drive Systems Pulley Drive Systems	Pro 1500 / 2000 Smart Pro Systems* (*2 Yr. Motor Warranty)

Terms and Conditions / Shipping

Oneida tries to ship orders out in a timely manner, however sometimes delays and back orders are inevitable. Oneida will not be held responsible or liable for these conditions or the way they may effect your production. Back orders will be shipped when they are available. When orders are shipped UPS, UPS will notify you by e-mail. If shipped by Common Carrier, you can arrange for the trucking company to notify you and make arrangements for delivery. Shipping method is determined by Oneida Air Systems and is dependent upon material to be shipped and destination. You are not charged until your order is shipped.

► **Checking in Order**

Please look over the shipped order very carefully in the presence of the delivery person for damage or incomplete shipment before signing the delivery receipt. Please note any tears or irregularities in shipping packaging, however slight, on the shipping delivery receipt. This could be an indication of extensive concealed damage. The shipping company will not take responsibility if the damage is not noted on the delivery receipt. In the event of shipping damage, call OAS Customer Service immediately at 1.800.732.4065 so we can expedite replacements. Please check in all parts within 3 days from receiving order. Notify OAS immediately of any missing or incorrect parts. OAS does not accept any claims for damage or shortage after 3 days from date of delivery.

► **Limited Warranty**

Oneida Air Systems™ warrants the products manufactured by Oneida Air Systems, for a period of 1 or more years depending on the product, to the original purchaser from the date of purchase unless otherwise specified. Items not manufactured by Oneida Air Systems are limited to their own manufacturer's warranties. All electrical items such as magnetic starters, remotes, sensors, pumps and accessories are limited to 90 days. Oneida Air Systems warrants that the product will be free from defects in materials and workmanship. This warranty does not apply to defects due directly or indirectly to misuse, negligence, accidents, abuse, repairs, alterations, improper wiring or lack of maintenance. This is Oneida Air Systems sole written warranty and any and all warranties that may be implied by law, including any merchantability or fitness, for any particular purpose, are hereby limited to the duration of this written warranty. Oneida Air Systems does not warrant or represent that the merchandise complies with the provisions of any law or acts unless the manufacturer so warrants. In no event shall Oneida Air Systems' liability under this warranty exceed the purchase price paid for the product and any legal actions brought against Oneida Air Systems shall be tried in the State of New York, County of Onondaga.

ONEIDA AIR SYSTEMS SHALL IN NO EVENT BE LIABLE FOR DEATH, INJURIES TO PERSONS OR PROPERTY OR FOR INCIDENTAL, AND CONTINGENT, SPECIAL, OR CONSEQUENTIAL DAMAGES ARISING FROM THE USE OF OUR PRODUCT.

► **Safety Warning - Please Read**

Before Purchasing or Installing a dust collection system the buyer is cautioned to do so in accordance with prescribed Federal, State, Local, OSHA, NFPA, and any other applicable codes or regulations relating to the type of dust(s) you are collecting.

SOME TYPES OF DUST UNDER CERTAIN CONDITIONS HAVE THE POTENTIAL TO BE EXPLOSIVE.

Oneida Air Systems is not responsible for how the dust collector is used or installed. Dusts with deflagration or explosion risks, such as wood dust, may require additional safety equipment including but not limited to; venting, spark detection, suppression systems, back draft dampers or may require installation in an outside location or in a protected area away from personnel. The customer assumes the responsibility for contacting their insurance underwriter with regard to specific engineering controls or application requirements. (We suggest you reference NFPA 664, 654 and 68 codes for more information) Oneida Air Dust Collection Systems may not be suitable for some applications and are not designed to be used in explosive atmospheres. **Oneida Air Systems equipment should only be installed and wired by a licensed electrician following all applicable local and national electrical codes.**

Some dust created by power sanding, sawing, grinding, drilling, and other construction activities contains chemicals known to cause cancer, birth defects or other reproductive harm. Some examples of these chemicals are:

- Lead from lead-based paints.
- Crystalline silica from bricks, cement and other masonry products.
- Arsenic and chromium from chemically-treated lumber.

Your risk from these exposures varies, depending on how often you do this type of work. To reduce your exposure to these chemicals, work in a well ventilated area, and work with approved safety equipment, such as those dust masks that are specially designed to filter out microscopic particles. Oneida Air Systems recommends using additional approved safety equipment such as an approved OSHA and NIOSH dust mask or respirator.

Oneida Air Systems makes every effort to accurately represent our products, specifications and prices; however Oneida Air Systems reserves the right to make changes to products and prices at any time. As a manufacturer, Oneida Air Systems reserves the right to change product designs and specifications at any time.

► **Delivery Risk of Loss**

Products will be shipped to Buyer's single destination. Title and risk of loss shall pass to the Buyer upon delivery to such destination. Buyer pays transportation expenses. Dates of shipment are advisory and Oneida Air Systems will make reasonable efforts to ship on or before the date states for shipment, however, Oneida Air Systems shall not incur any liability for failure to ship on that date.

► **Returned Goods Policy**

Buyer must inform Oneida Air Systems of any shortage or damage, by so noting in writing, on the freight delivery bill prior to signing to indicate receipt of shipment. All claims covered under the limited warranty, are subject to inspection and investigation by Oneida Air Systems. Oneida Air Systems reserves the right to inspect and investigate all returned products before Buyer's claim is settled. All products returned for a refund must be unused and resalable and purchased within the last 30 days. There are no refunds on flex hose or custom made components. There will be a 25% restocking fee applied to any returned items. Buyer must call and obtain a Return Material Authorization Number (RMA #) prior to making a return. All merchandise must be shipped to us prepaid.