



Powerful ■ Economical ■ Made in the USA



Appearance may vary.

V - 1500™ 1.5hp Dust Collector

Quote Sheet

1.800.732.4065

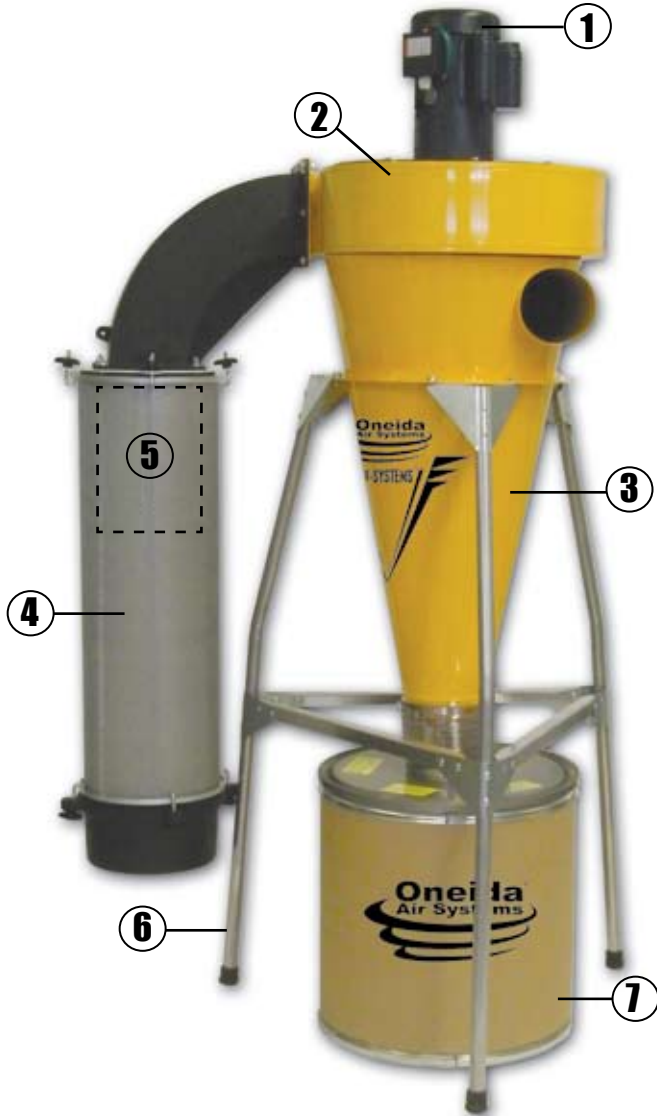
www.oneida-air.com

Oneida Air Systems, Inc. was founded in 1993 to bring cost effective, state-of-the-art dust collection systems and material handling ductwork to woodworking shops. OAS designs and manufactures industrial grade dust collection systems that create a practical, safe and healthy work place environment.

The Oneida Advantage



Made in the USA!



① Motor
U.S Made 1.5hp Baldor or Leeson,
Class F TEFC Motor 1.15 Service Factor
Pre-wired Magnetic Starter with on/off
switch and amperage overload protector.

② Fan Wheel / Fan Housing
Non-metallic composite, non-sparking, non-ferrous as required NFPA fire code.
No Rivets or Welds
Extremely Strong
Backward Incline design. Designed for high performance low noise.
Dynamic two-plane balanced to ISO 6.3 Specifications. (Same as aircraft turbines.)

③ Cyclone Construction
Cyclone Technology eliminates filter maintenance.
6" solid welded inlet with neutral vane.
Powder coated paint finish over steel.
Outlet can be rotated independent of inlet.

④ Filter Media
95 Sq. Ft.
GE Certified (H-12) HEPA Media / MERV 16+ Rated - see spec sheet on website
Filter Grounding Wire
Pat. Pend. Flame Guard Arrestor

⑤ Internal Silencer
Built in Silencer reduces sound to 75 dBA @ 10'. Patented design. Very quiet!

⑥ Tripod Legs (Included)

⑦ Dust Drums
35 Gallon Fiber
Bag Gripper available. Line dust drum with an easy to empty plastic bag.

⑧ 1 Year Warranty

⑨ UPS Shipping

Optional Wall Bracket - SMS180000
If you buy the Wall Bracket, you do NOT get the Stand.



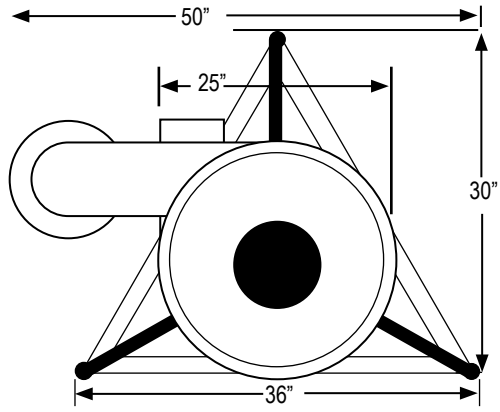
II. System Specifications

Collector and starter switch wired for 110V only. Call for 220V options.

Allow 1 - 2" from ceiling for motor venting.



Dimensions shown w/ 2" flex hose between drum and cone collars.



<p>Performance: V-1500 6 inch pipe 949 CFM @ 1.8" W/C SP 5 inch pipe 739 CFM @ 3.5" W/C SP 4 inch pipe 572 CFM @ 5.3" W/C SP 3 inch pipe 467 CFM @ 6.3" W/C SP 0 CFM @ 7.9" W/C SP</p>
--

System Performance

- ▶ Approx. 949 CFM @ 1.8" S.P. See Specifications Below

System Dimensions

- ▶ Height w/ 35 Gallon Drum: 84 1/4"
- ▶ Footprint w/ Ext. Cartridge: 30"x 50"
- ▶ Inlet Diameter: 6"
- ▶ Powder Coated Paint Finish Over Steel

Integral Fan Blower
Industrial Quality Motor

- ▶ U.S. Made Baldor or Leeson
- ▶ 1.5 Horsepower Single Phase
- ▶ TEFC Motor, 1.15 Service Factor / Insulation Class F for extra protection and motor life
- ▶ Voltage: 115V
- ▶ Amperage: 16 Amps
- ▶ Fan Wheel - Non-Metallic Composite / Backward Inclined / Non-Sparking, Non-Ferrous as Required by NFPA Fire Code

Filter Media

- ▶ 13"x 36" 95 Sq. Ft.
- ▶ GE Certified (H-12) HEPA Media / MERV 16+ Rated - see spec sheet on website

Sound Level

- ▶ With Standard Silencer & Filter: 73 dBA @ 10'
- ▶ Without Silencer: 75 dBA @ 10'

Dust Bin

- ▶ 35 Gallon Fiber Drum - ODK350701. Other Sizes & Types Available.

Included

- ▶ (3) Stand Legs - OSK354800-35
- ▶ 1 Yr. Warranty
- ▶ Internal Silencer
- ▶ FREE D.I.Y. Duct Design Guide
- ▶ Magnetic Starter - w/ On-Off Switch Preset for Add-On Remote with Amperage Overload Protector (1 Phase)
- ▶ Filter Grounding Wire
- ▶ Pat. Pend. Flame Guard Arrestor

Options
See Accessories page for pricing.

- ▶ Remote Control - Radio Frequency Line of Sight Not Required.
- ▶ Bag Gripper
- ▶ Shop Plan Design Service
- ▶ 55 Gal. Drum - ODK550701 / 55 Gal. Leg Kit - OSK556200-55
- ▶ Wall Bracket - SMS180000
- ▶ Dust Sentry™ - Infrared Bin Level Sensor

*Oneida reserves the right to change or modify specs and system appearance without notice. Actual system appearance may vary.

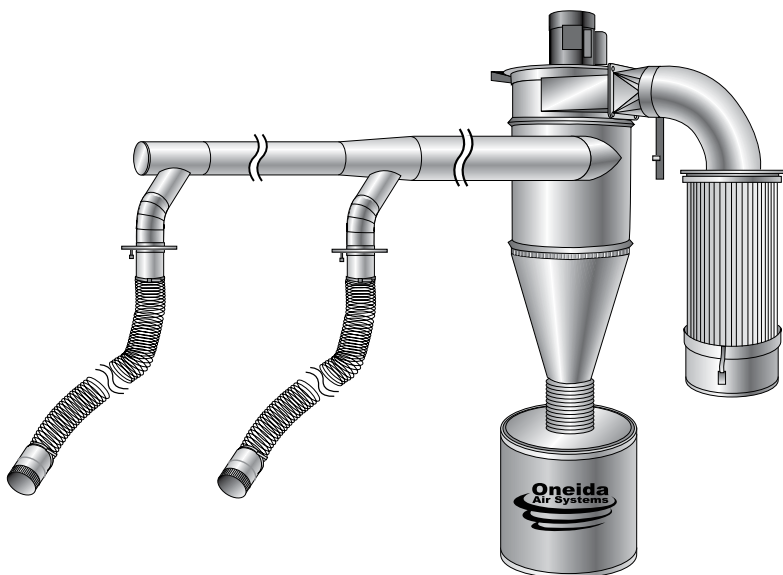
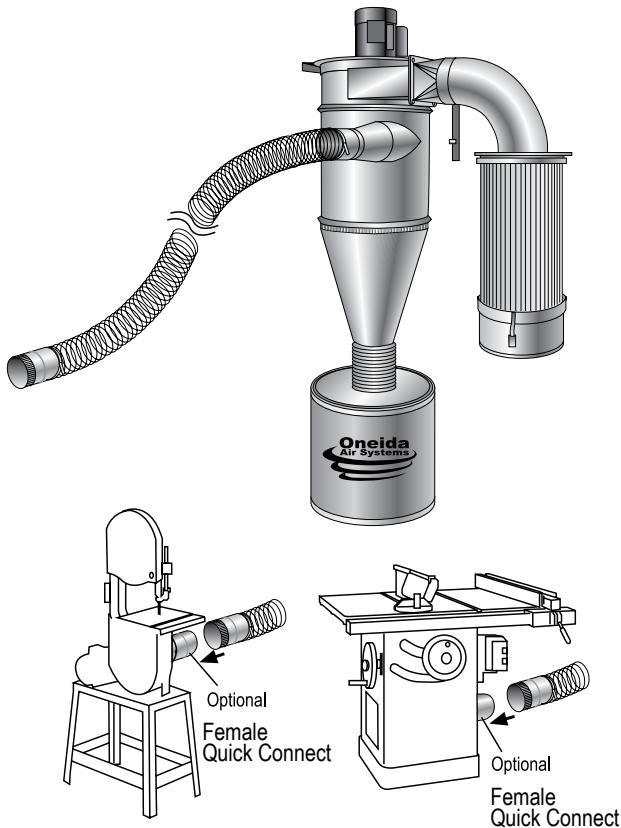
Oneida V - 1500™ 1.5hp

Part #	Description	Price
XXV010139H	V-1500™ Collector	\$1,295.00
OSK354800	35 Gal. Stand Legs	
ODK350701	35 Gal. Fiber Drum	

*This proposal may be withdrawn by Oneida Air Systems if not accepted within 30 days.

Flat Rate UPS Shipping Charge* - \$134.00
 *48 States - Delivered to your door.

These ductwork kits were designed by Oneida to take the guesswork out of ducting your dust collector and to save you time and effort.



Basic Starter Duct Kit 1

Ductwork Kit #1 for 6" Inlet

Package #1 - KDZ00003

Can be attached to single tools during use.

Included in Package

- (2) Band Clamps 3" to 6" - ACB060000.
- (1) Spiral Adapter 5" - DAS050000
- (20 ft.) 5" Flex Hose - DHF050000 .
- (2) Female 5" Quick Connect - DQF050000
- (1) Male 5" Quick Connect - DQM050000 .
- (1) 5" to 4" Reducer - DRL050400
- (1) 6" to 5" Reducer - DRL060500.

Total - Approx. \$186.00*

Basic Starter Duct Kit 2

Ductwork Kit #2 for 6" Inlet

Package #2 - KDZ00004

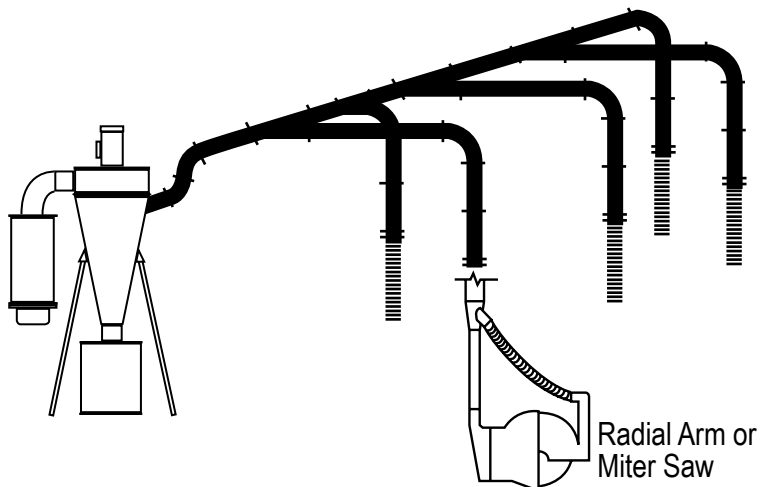
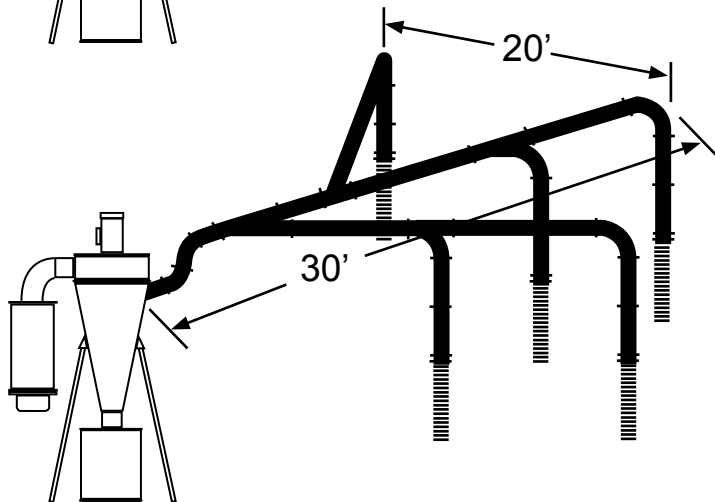
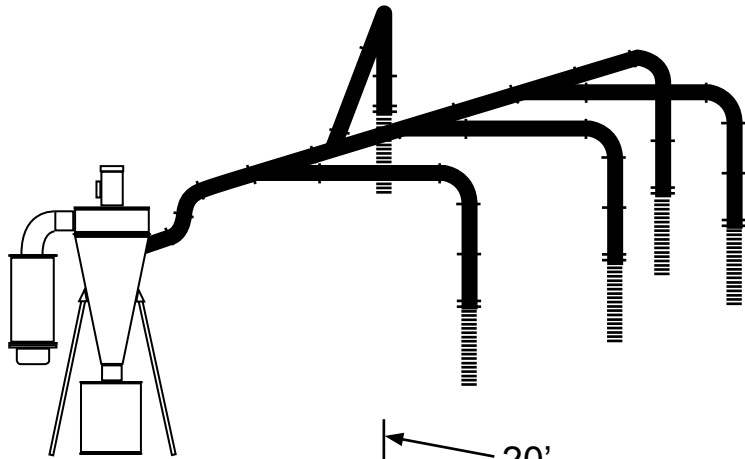
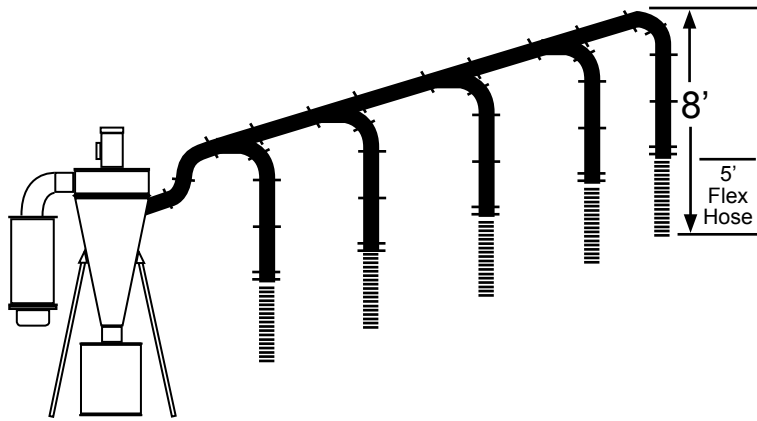
Can connect tools at two locations near your collector.

Included in Package

- (4) Band Clamps 3" to 6" - ACB060000.
- (2) Blastgate Adapters 5" - DAB050000.
- (1) End Cap 5" - DCZ050000
- (2) 90 5" Adjustable Elbows - DEA900500
- (2) 5" Dia. Aluminum Blast Gates - DGA050000 .
- (20 ft.) 5" Flex Hose - DHF050000 - DHF050000
- (1) 6"x 60" 26 ga. Pipe - DPT260660 .
- (1) 5"x 60" 26 ga. Pipe - DPT260560
- (4) Female Quick Connect 5" Dia. - DQF050000
- (2) Male Quick Connect 5" Dia. - DQM050000.
- (3) 5" to 4" Reducer - DRL050400
- (1) 5x5x5 45 Deg. Wye - DWS050505.
- (1) 6x5x5 45 Deg. Wye - DWS060505

Total - Approx. \$443.00*

***Call Oneida for exact pricing.**



Deluxe Starter Duct Kit

With these basic parts you can connect 5 tools with countless configurations. You may need extra straight pipe but this is an easy way to start.

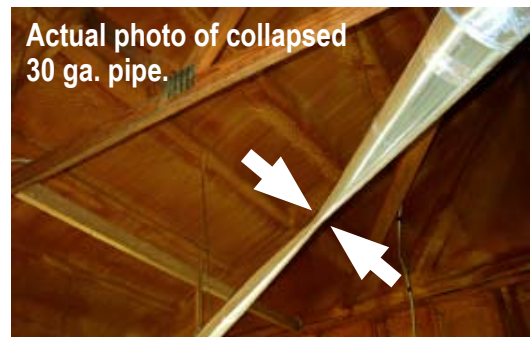
Included in Package - KDZ000005 - Approx. \$817.00*

- (2) 6" Large Rad. 90 Deg. Adj. Elbow - DEA900600
- (1) 6x5x5 45 Deg. Wye Joint - DWS060505
- (4) 5x5x5 45 Deg. Wye Joint - DWS050505
- (5) 5" Large Rad. 90 Deg. Adj. Elbow - DEA900500
- (5) 5" Aluminum Blast Gate 5" Dia. - DGA050000
- (25') 5" Dia. Flex Hose - DHF050000
- (10) 3 - 6" Dia. Band Clamp - ACB060000
- (5) Blast Gate Adapter 5" Dia. - DAB050000
- (5) Reducer 5" to 4" - DRL050400
- (1) 6" Dia. x 24" Long 26 ga. Pipe - DPT260624
- (5) 5" Dia. x 60" Long 26 ga. Pipe - DPT260560
- (10) 5" Dia. x 24" Long 26 ga. Pipe - DPT26052

*Flexhose sold in 5' increments. Flexhose comes in one complete section and can be cut to different lengths.

Notes:

Depending on the width of your shop and the plan you use, you may need extra pipe.
For the most efficient collection, keep woodworking tools within 30' of the dust collector.
Use 26 ga. straight pipe or heavier, 30 ga. can suck flat with our systems.



Add On Package for Miter Saw or RAS KDZ000006 - Approx. \$92.00*

- (1) 5" x 4" x 3" Wye - DWS050403
- (1) 3" to 2" Reducer - DRL030200
- (5') 2" Dia. Flex Hose - DHF020000
- (2) Hose Clamps - ACB060000
- (1) Hood - DOR040000

***Call Oneida for exact pricing.**

Let OAS help you design your dust collection system

Ductwork Design

With a system purchase and the placement of a refundable shop plan design fee, engineers and qualified technicians will size and design a custom dust collection system complete with ductwork layout including the proper pipe dimensions to run to each piece of equipment.

Trained sales technicians are available to answer questions: 1.800.732.4065

Ductwork Estimate:

Snaplock pipe & Components (24 - 26 gauge) is available with this system and costs approximately \$200 - \$225.00 per woodworking tool port. Average cost estimate for ductwork:

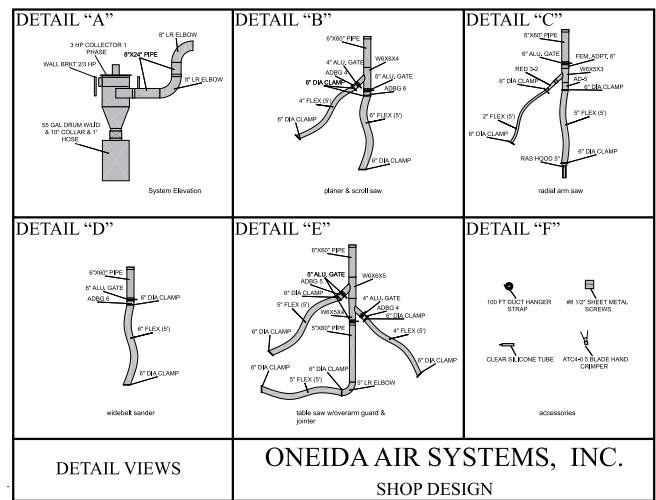
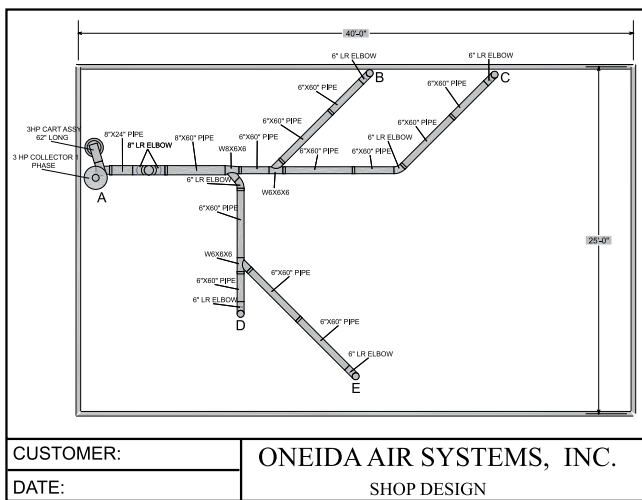
$$(\# \text{ of Machines }) \times \$200 - \$225.00 = \text{Ductwork Estimate 24 - 26 Ga. ductwork}$$

Spiral pipe (24 Ga.) and heavy elbows are available with this system and costs approximately \$300 - \$325.00 per wood-working tool port. Average cost estimate for ductwork:

$$(\# \text{ of Machines }) \times \$300 - \$325.00 = \text{Ductwork Estimate 24 Ga. spiral pipe \& heavy gauge elbows}$$

Shipping:

Snaplock shipping is free on \$200+ ductwork order / 48 states / Some restrictions apply.



**Ready-to-Ship
Ductwork**



"Service was always great. One of the main reasons I chose Oneida was for the design service and it was all that I hoped for. I felt that the system recommended to me was exactly what my shop needed."

- R.W.

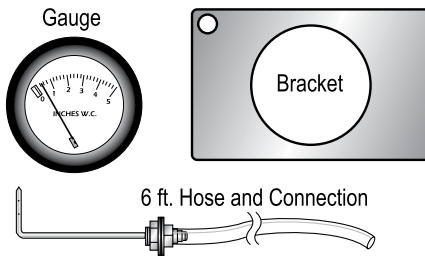
Accessories



Extra Drums

Part #	Description	Price
SDS350000	35 Gal. Fiber Drum & Lid	\$33.50
SDS550000	55 Gal. Fiber Drum & Lid	\$51.37
SES550000	55 Gal. Steel Drum & Lid	\$100.36

*Must purchase separate leg kit for 55 gal. drum



Filter Efficiency Gauge

Part #	Description	Price
FXK000000	Filter Efficiency Gauge Kit	\$113.85

This easy to read gauge takes the guesswork out of knowing when your filters need to be cleaned and tells you how much pressure is backed up behind your filters. It reads pressure from plenum to gauge up to 8' away and allows you to keep your dust collection system running efficiently.



No line of sight required.
Radio frequency.

Remote Control Switch

Part #	Description	Price
AXR220000	Remote Control Switch	\$77.28



Filters are easily cleaned by blowing from the outside with compressed air.

GE Certified (H-12) HEPA Media /
MERV 16+ rated w/ Flame Guard

Replacement Filters

Part #	Description	Price
FCS133995	13" D x 39" SpunBond Filter* * Needs Rod & Rod Coupler Extension	\$289.00
FCB133995H	13" D x 39" HEPA Media Filter	\$379.00



Enables you to line your dust drum with a plastic bag for easy, safe dust disposal.



The Bag Gripper™

Part #	Description	Price
ABX000000	Bag Gripper™ Assembly \$166.58 if purchased separately	\$116.58 <small>Purchased with Gorilla</small>

Drum Liner - Plastic Bag Hold-Down

Part #	Description	Price
ABX000035	35 Gal. Hold-Down	\$48.00
ABX000055	55 Gal. Hold-Down	\$58.00

Patent Pending



The Oneida Dust Sentry™ with adjustable IST (Infrared Sensing Technology), flashes a strobe light to alert you when the dust in your container reaches your preset level, telling you when it's time to empty the container.

Dust Sentry™

Part #	Description	Introductory Price
AXB999110	Dust Sentry Sensing Unit	\$148.00



Wall Bracket

Part #	Description	Price
SMS180000	Wall Bracket Upgrade	\$92.00

Items Not Covered By Quote

1. Control System: Panels, wiring, system control, breaker or starters unless noted in this quotation.
2. Freight cost, custom fees, duty or loading of freight unless noted in this quotation.
3. Federal, state, municipal or other government excise, sales, use occupational or other like taxes now in force or to be enacted unless noted in this quotation.
4. All labor required for installing the equipment.
5. Anything not specifically mentioned in this quotation.
6. Oneida Air Systems, Inc. reserves the right to void this quote in the event of a typing error or gross oversight.

WARRANTY	WARRANTY	WARRANTY	WARRANTY
90 Days	1 Year	2 Years	5 Years
Dust Deputy's Bag Gripper Remote Control Electronic Items	V - Systems Dust Cobras Mini-Gorillas	Smart Portables Gorilla Portables Super Dust Gorillas Hi-Vac Systems Direct Drive Systems Pulley Drive Systems	Pro 1500 / 2000 Smart Pro Systems* (*2 Yr. Motor Warranty)

Terms and Conditions / Shipping

Oneida tries to ship orders out in a timely manner, however sometimes delays and back orders are inevitable. Oneida will not be held responsible or liable for these conditions or the way they may effect your production. Back orders will be shipped when they are available. When orders are shipped UPS, UPS will notify you by e-mail. If shipped by Common Carrier, you can arrange for the trucking company to notify you and make arrangements for delivery. Shipping method is determined by Oneida Air Systems and is dependent upon material to be shipped and destination. You are not charged until your order is shipped.

► Checking in Order

Please look over the shipped order very carefully in the presence of the delivery person for damage or incomplete shipment before signing the delivery receipt. Please note any tears or irregularities in shipping packaging, however slight, on the shipping delivery receipt. This could be an indication of extensive concealed damage. The shipping company will not take responsibility if the damage is not noted on the delivery receipt. In the event of shipping damage, call OAS Customer Service immediately at 1.800.732.4065 so we can expedite replacements. Please check in all parts within 3 days from receiving order. Notify OAS immediately of any missing or incorrect parts. OAS does not accept any claims for damage or shortage after 3 days from date of delivery.

► Limited Warranty

Oneida Air Systems™ warrants the products manufactured by Oneida Air Systems, for a period of 1 or more years depending on the product, to the original purchaser from the date of purchase unless otherwise specified. Items not manufactured by Oneida Air Systems are limited to their own manufacturer's warranties. All electrical items such as magnetic starters, remotes, sensors, pumps and accessories are limited to 90 days. Oneida Air Systems warrants that the product will be free from defects in materials and workmanship. This warranty does not apply to defects due directly or indirectly to misuse, negligence, accidents, abuse, repairs, alterations, improper wiring or lack of maintenance. This is Oneida Air Systems sole written warranty and any and all warranties that may be implied by law, including any merchantability or fitness, for any particular purpose, are hereby limited to the duration of this written warranty. Oneida Air Systems does not warrant or represent that the merchandise complies with the provisions of any law or acts unless the manufacturer so warrants. In no event shall Oneida Air Systems' liability under this warranty exceed the purchase price paid for the product and any legal actions brought against Oneida Air Systems shall be tried in the State of New York, County of Onondaga.

ONEIDA AIR SYSTEMS SHALL IN NO EVENT BE LIABLE FOR DEATH, INJURIES TO PERSONS OR PROPERTY OR FOR INCIDENTAL, AND CONTINGENT, SPECIAL, OR CONSEQUENTIAL DAMAGES ARISING FROM THE USE OF OUR PRODUCT.

► Safety Warning - Please Read

Before Purchasing or Installing a dust collection system the buyer is cautioned to do so in accordance with prescribed Federal, State, Local, OSHA, NFPA, and any other applicable codes or regulations relating to the type of dust(s) you are collecting.

SOME TYPES OF DUST UNDER CERTAIN CONDITIONS HAVE THE POTENTIAL TO BE EXPLOSIVE.

Oneida Air Systems is not responsible for how the dust collector is used or installed. Dusts with deflagration or explosion risks, such as wood dust, may require additional safety equipment including but not limited to; venting, spark detection, suppression systems, back draft dampers or may require installation in an outside location or in a protected area away from personnel. The customer assumes the responsibility for contacting their insurance underwriter with regard to specific engineering controls or application requirements. (We suggest you reference NFPA 664, 654 and 68 codes for more information) Oneida Air Dust Collection Systems may not be suitable for some applications and are not designed to be used in explosive atmospheres. **Oneida Air Systems equipment should only be installed and wired by a licensed electrician following all applicable local and national electrical codes.**

Some dust created by power sanding, sawing, grinding, drilling, and other construction activities contains chemicals known to cause cancer, birth defects or other reproductive harm. Some examples of these chemicals are:

- Lead from lead-based paints.
- Crystalline silica from bricks, cement and other masonry products.
- Arsenic and chromium from chemically-treated lumber.

Your risk from these exposures varies, depending on how often you do this type of work. To reduce your exposure to these chemicals, work in a well ventilated area, and work with approved safety equipment, such as those dust masks that are specially designed to filter out microscopic particles. Oneida Air Systems recommends using additional approved safety equipment such as an approved OSHA and NIOSH dust mask or respirator.

Oneida Air Systems makes every effort to accurately represent our products, specifications and prices; however Oneida Air Systems reserves the right to make changes to products and prices at any time. As a manufacturer, Oneida Air Systems reserves the right to change product designs and specifications at any time.

► Delivery Risk of Loss

Products will be shipped to Buyer's single destination. Title and risk of loss shall pass to the Buyer upon delivery to such destination. Buyer pays transportation expenses. Dates of shipment are advisory and Oneida Air Systems will make reasonable efforts to ship on or before the date states for shipment, however, Oneida Air Systems shall not incur any liability for failure to ship on that date.

► Returned Goods Policy

Buyer must inform Oneida Air Systems of any shortage or damage, by so noting in writing, on the freight delivery bill prior to signing to indicate receipt of shipment. All claims covered under the limited warranty, are subject to inspection and investigation by Oneida Air Systems. Oneida Air Systems reserves the right to inspect and investigate all returned products before Buyer's claim is settled. All products returned for a refund must be unused and resalable and purchased within the last 30 days. There are no refunds on flex hose or custom made components. There will be a 25% restocking fee applied to any returned items. Buyer must call and obtain a Return Material Authorization Number (RMA #) prior to making a return. All merchandise must be shipped to us prepaid.