



Universal Dust-Free Router Hood

User Instruction Manual



WARNING! Read, understand and follow router manufacturer's manual and this material before using the Universal Dust-Free Router Hood. This accessory is designed for specific application as defined in this manual, should not be modified and/or used for any other application. *Failure to do so can result in death or serious injury*

KEEP THESE INSTRUCTIONS FOR FUTURE REFERENCE.

Warning Symbols and Definitions



This is the safety alert symbol. It is used to alert you to potential personal injury hazards. Obey all safety messages that follow this symbol to avoid possible injury or death.

WARNING!: Indicates a hazardous situation that, if not avoided, could result in death or serious injury.

Specific Safety Warnings



WARNING!: Always unplug the router before servicing. Accidental tool startups can cause serious personal injury.

For any tools used with this product, make sure to read, understand and follow the instructions and safety warnings of that tool(s).

Before starting an operation, verify all tools used in conjunction with this accessory have safety equipment properly installed and are functioning as specified in their owner's manuals.

It is the sole responsibility of the purchaser of this tool to ensure that any third party reads, understands and complies with all the instructions and safety precautions outlined in this manual prior to using the tool.

General Safety Warnings



Always read, understand and follow the instructions safety standards and hearing protection and follow all standard shop safety practices including:

Always wear safety glasses in compliance with ANSI.

Keep your work area well lit and clean.

Dress appropriately: No loose dangling clothes or jewelry, and tie up long hair before using this tool. If something looks like it will drag and catch on something, don't wear it.

Stay alert: Do not use tool when you are tired, distracted or under the influence of drugs.

Use dust collection to reduce exposure to dust.

Use accessory safety equipment such as feather boards, push sticks and push blocks whenever appropriate.

Secure workpieces: Use clamps or vice to hold work, keeping two hands on the power tool.

Keep children and bystanders away while operating power tools.

Do not use power tools in explosive environments (e.g., in the presence of flammable liquids, fumes or dust).

Maintain proper footing at all times and do not overreach.

Do not force the tool.

Unplug all power tools before making any adjustments or changing accessories.

Never leave a tool running unattended: Always make sure the tool comes to a complete stop before walking away.



This list does not represent all information on tool safety, always take opportunities to learn more and improve your safe working habits.



WARNING!: *Finger Hazard! Moving parts can cut. Keep hands clear while operating and until the tool comes to a complete stop. Always unplug router before servicing. Accidental tool start ups can occur and cause death or serious injury.*

1. Unscrew the existing base plate on the router. Set the screws aside to later mount the router hood.
2. Place the flat side of the universal plate with the Oneida logo on a flat surface. Set the dome over the large center hole. Insert the prongs of the dome into the center hole of the second universal plate and line up the plates so that they match. (Fig. 1)

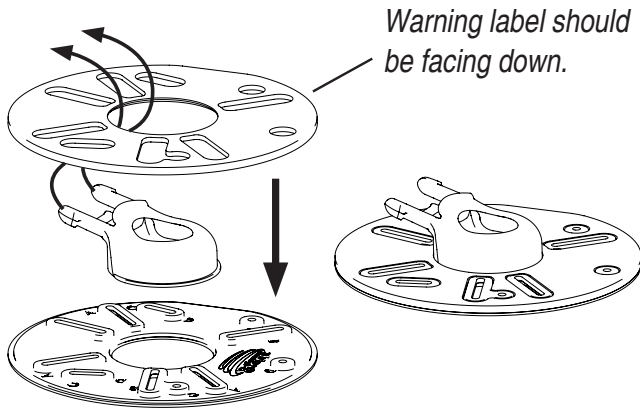


Fig. 1

4. Rotate the base plates so the holes or slots align with the screw holes of the router. Letters on the base plate indicate separate screw hole patterns (Fig. 3).

See back page for a full scale base plate template.

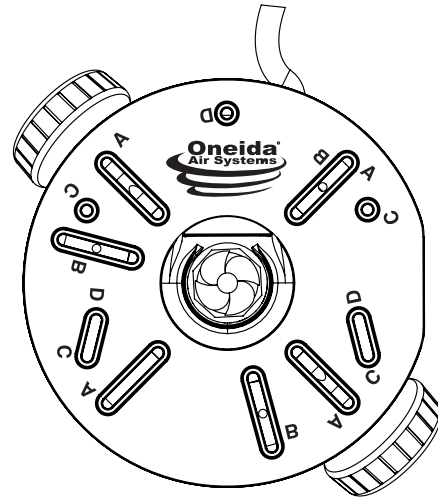


Fig. 3

3. Place the router hood onto the router with the dome going inside the chamber of the router (Fig. 2). The Oneida Air Systems logo and warning label should appear legibly.

NOTE: Bits wider than 1.25" may need to be removed and reattached after the router hood is mounted.

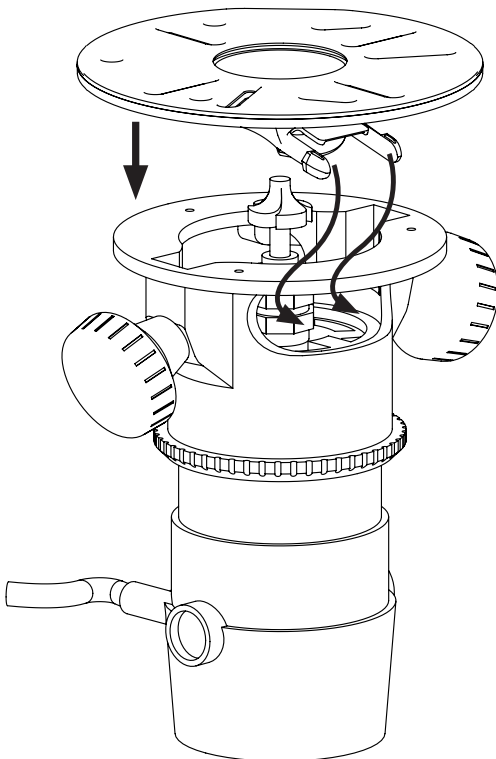


Fig. 2

5. Use the screws set aside from Step 1 to mount the router hood to the router. (Fig. 4)

NOTE: Do not tighten screws until all are set in place.

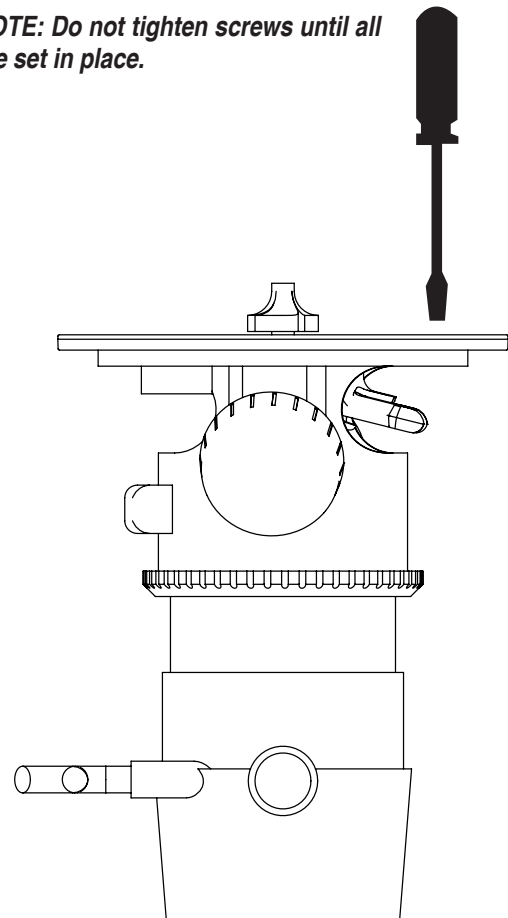


Fig. 4

- To apply the chip cover, squeeze the sides, and fit the groove of the chip cover inside the cavity at the inside rim of the base plate (Fig. 5). Since only one chip cover is used at a time, use the 1/4" hole on the cover to store unused covers on a nail or hook for later use.

NOTE: The chip covers should only be used when edge routing. They can be removed for plunge routing tasks. The small chip cover should only be used when routing thinner stock with less than 2-1/4" of space beneath the router.

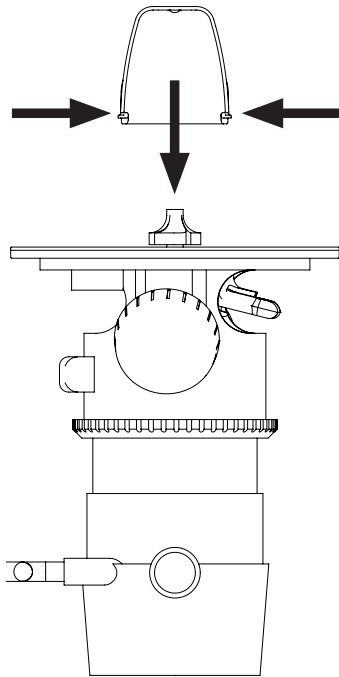


Fig. 5

- Check to make sure the chip cover is seated properly by rotating it (Fig. 6).

NOTE: Always check to make sure the chip cover is positioned away from the edge being routed.

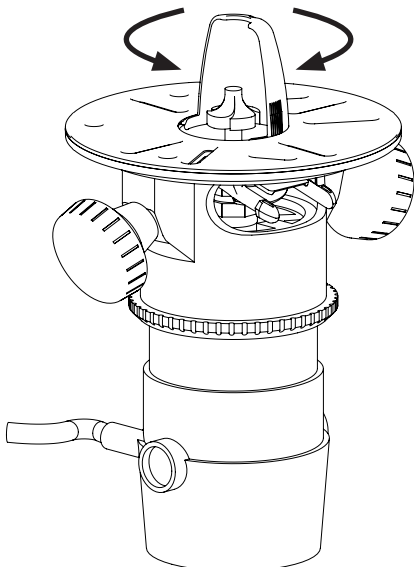


Fig. 6

- With the hose attached, clip the cuff onto the dome. The thumb groove indicates which side is the top (Fig. 7). The connection is a typical side-release clip, making the cuff easily detachable from the dome.

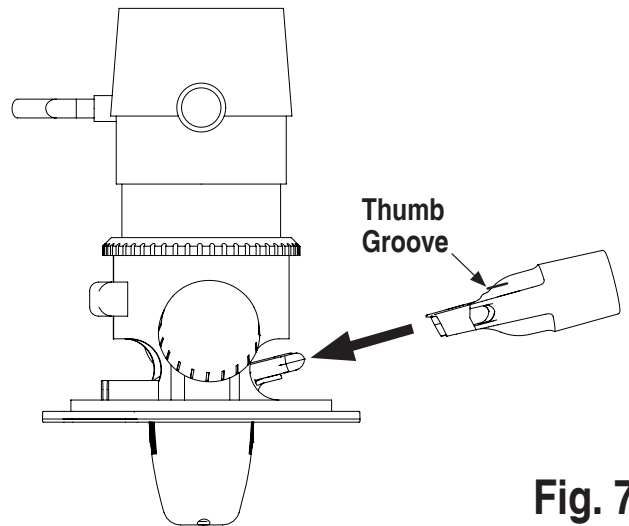


Fig. 7

- Always turn the vacuum on before you begin routing, and always unplug the router before servicing.

If you have any questions or concerns, please contact our customer service department:

Phone: 1.866.387.8822

Email: support@oneida-air.com

Fax: 1.315.476.5044

Oneida Air Systems warrants this product for a period of 90 DAYS, to the original purchaser from the date of purchase unless otherwise specified. Purchaser is responsible for returning warranty items to Oneida Air Systems at their expense. All parts must be returned with an Oneida Air Systems provided Returned Material Authorization Number (RMA#). Any shipment without an RMA will be refused. Items not manufactured by Oneida Air Systems are limited to their own manufacturer's warranties. Oneida Air Systems warrants that the product will be free from defects in materials and workmanship. This warranty does not apply to defects due directly or indirectly to misuse, negligence, accidents, abuse, repairs, alterations, improper wiring or lack of maintenance. This is Oneida Air Systems sole written warranty and any and all warranties that may be implied by law, including any merchantability or fitness, for any particular purpose, are hereby limited to the duration of this written warranty. Oneida Air Systems does not warrant or represent that the merchandise complies with the provisions of any law or acts unless the manufacturer so warrants. In no event shall Oneida Air Systems' liability under this warranty exceed the purchase price paid for the product and any legal actions brought against Oneida Air Systems shall be tried in the State of New York, County of Onondaga.

ONEIDA AIR SYSTEMS SHALL IN NO EVENT BE LIABLE FOR DEATH, INJURIES TO PERSONS OR PROPERTY OR FOR INCIDENTAL, AND CONTINGENT, SPECIAL, OR CONSEQUENTIAL DAMAGES ARISING FROM THE USE OF OUR PRODUCT. Before Purchasing or installing a dust collection system the buyer is cautioned to do so in accordance with prescribed Federal, State, Local, OSHA, NFPA, and any other applicable codes or regulations relating to the type of dust(s) you are collecting.

Universal Router Base Plate Template

Visit routerhood.com for a detailed list of matching screw-hole patterns.

